

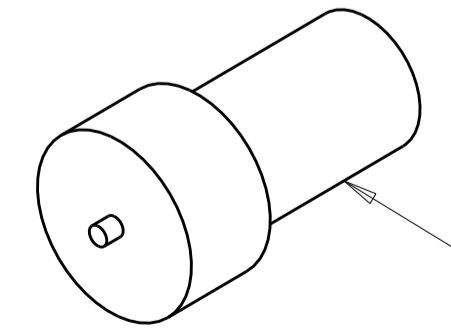
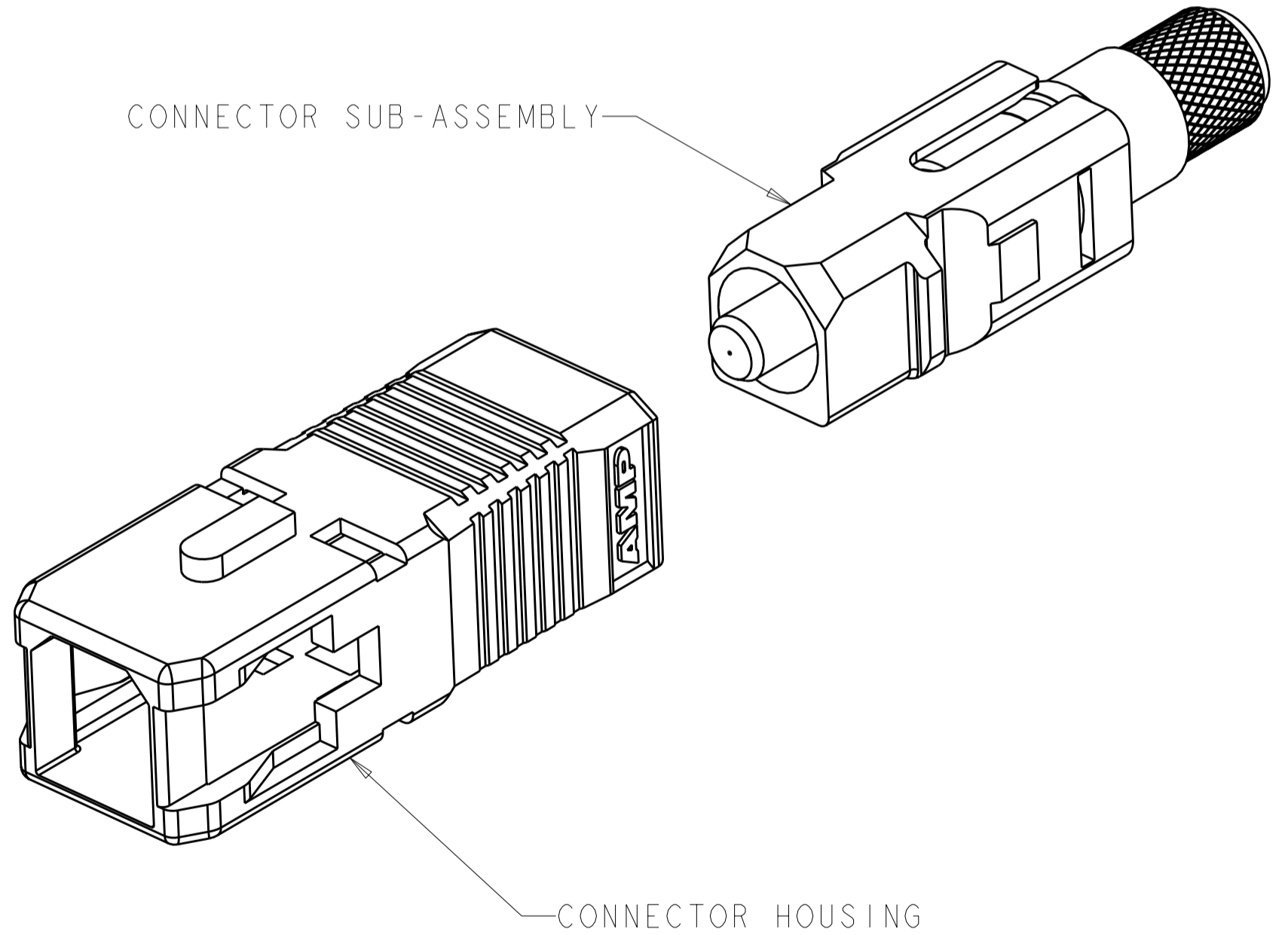
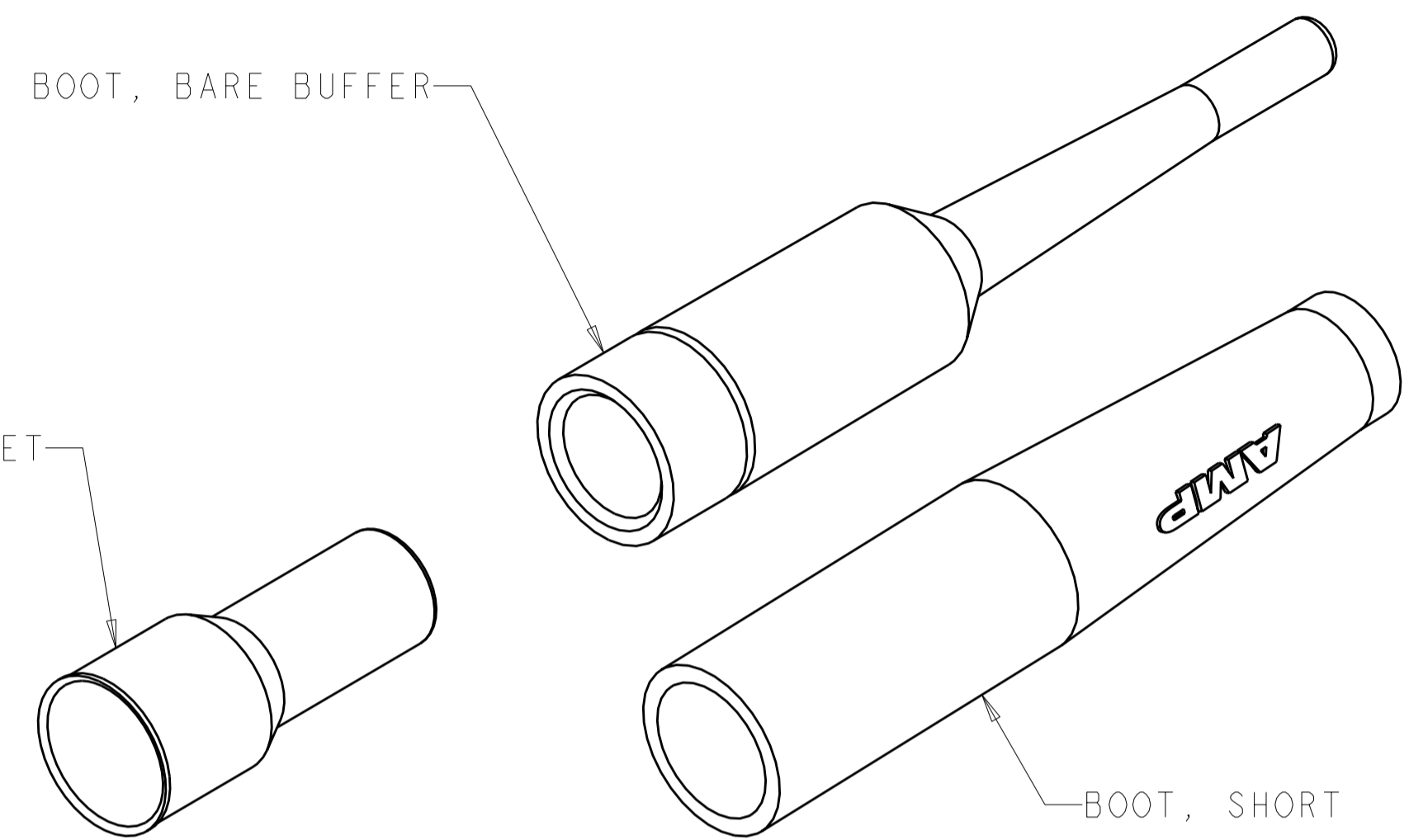
THIS DRAWING IS UNPUBLISHED. RELEASED FOR PUBLICATION 20  
 © COPYRIGHT 20 BY TYCO ELECTRONICS CORPORATION. ALL RIGHTS RESERVED.

LOC		DIST		REVISIONS			
P	LTR	DESCRIPTION	DATE	DWN	APVD		
	A	RELEASE TO ACTIVE	07JUN2006	BB	SM		
	B	REVISE PER ECR-07-011930	06JUN2007	BB	SM		

1 MATERIAL:

CONNECTOR HOUSING: PBT-GF17, COLOR: BEIGE.\*  
 CONNECTOR SUBASSEMBLY:  
 PLUG BODY: PES-GF20, COLOR: BEIGE.\*  
 SPRING: STAINLESS STEEL  
 FERRULE ASSEMBLY: CERAMIC/PBT-GF17, COLOR: BEIGE.\*  
 EPOXY-FILL TUBING: PVC, COLOR: CLEAR, UL VW-1 RATED.  
 RETAINER BODY: PES-GF20, COLOR: BEIGE.\*  
 CRIMP EYELET: TIN PLATED COPPER  
 BOOT: TPE, COLOR: SEE TABLE.\*  
 PROTECTIVE COVER: LDPE, COLOR: BLACK, NON-FR.  
 \*UL94 V-0 RATED AT QUALIFYING THICKNESS.

- 2 BULK PACKAGE.
- 3 3.0mm KIT FOR USE WITH "LOOSE-JACKETED" CABLE.
- 4 NO AMP LOGO.
- 5 CONTAINS NO EYELET.



BOOT	PART NUMBER
3.0mm & 900um, BLACK	1-5503948-3
900um, BLACK	1-5503948-2
3.0mm & 900um, AQUA	1-5503948-1
3.0mm, AQUA	1-5503948-0
2 3.0mm, RED	5503948-9
2 3.0mm, BLACK	5503948-8
5 2 NONE	5503948-7
4 2 NONE	5503948-6
3.0mm & 900um, BEIGE	5503948-5
2 NONE	5503948-3
2 3.0mm, BEIGE	5503948-2
3.0mm, BEIGE	5503948-1

THIS DRAWING IS A CONTROLLED DOCUMENT FOR TYCO ELECTRONICS CORPORATION  
 IT IS SUBJECT TO CHANGE AND THE CONTROLLING ENGINEERING ORGANIZATION  
 SHOULD BE CONTACTED FOR THE LATEST REVISION.

DWN	B. BRIGGS	07NOV2005	Tyco Electronics Harrisburg, PA 17105-3608
CHK	S. MILLER	07NOV2005	
APVD	S. BUCHTER	07NOV2005	
PRODUCT SPEC			
APPLICATION SPEC			NAME
AMP SC, MULTIMODE CONNECTOR KIT, 900um AND 3.0mm			RESTRICTED TO
MATERIAL	-		SIZE
-			A2
-			CAGE CODE
-			00779
-			DRAWING NO
-			C=5503948
-			SCALE
-			5:1
-			SHEET
-			1
-			OF
-			1
-			REV
-			B

CUSTOMER DRAWING